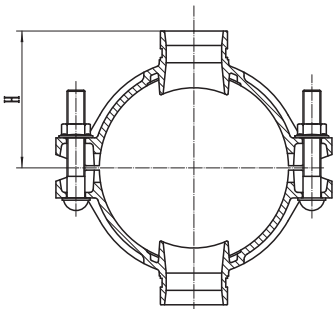
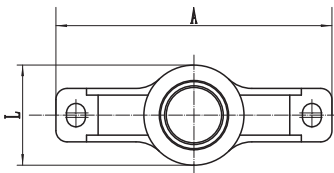


Grooved Mechanical Cross



Nominal Size mm/in	Pipe O.D mm/in	Dimensions			Hole Dimension (Φ-mm)	Bolt/Nut No.-size (mm)	Working pressure (psi)
		A mm	L mm	H mm			
65×25	76.1×33.7	139	72	73	38	3/8×2-1/8 (M10×55)	300
2 1/2×1	3×1.327						
65×32	76.1×42.4	139	83	73	46		
2 1/2×1 1/4	3×1.669						
65×40	76.1×48.3	139	90	75	53		
2 1/2×1 1/2	3×1.9						
80×32	88.9×42.4	155	83	82	46		
3×1 1/4	3.5×1.669						
80×40	88.9×48.3	155	90	82	53		
3×1 1/2	3.5×1.9						
80×50	88.9×60.3	155	100	82	64		
3×2	3.5×2.375						
100×50	108×60.3	167	100	92.5	64		
4×2	4.25×2.375						
100×25	114.3×33.7	181	72	95.5	38		
4×1	4.5×1.327						
100×32	114.3×42.4	181	83	95.5	46		
4×1 1/4	4.5×1.669						
100×40	114.3×48.3	181	90	95.5	53		
4×1 1/2	4.5×1.9						
100×50	114.3×60.3	181	117	95.5	64		
4×2	4.5×2.375						
125×40	139.7×48.3	212	90	109	53		
5×1 1/2	5.5×1.9						
125×50	139.7×60.3	212	100	109	64		
5×2	5.5×2.375						
125×65	139.7×76.1	212	117	109	70		
5×2 1/2	5.5×3						
125×40	141.3×48.3	212	90	109	53		
5×1 1/2	5.563×1.9						
125×50	141.3×60.3	212	100	109	64		
5×2	5.563×2.375						
125×65	141.3×73	212	117	113	70		
5×2 1/2	5.563×2.875						
150×50	159×60.3	233	100	118	64		
6×2	6.25×2.375						
150×65	159×76.1	233	117	118	80		
6×2 1/2	6.25×3						
150×80	159×88.9	233	129	118	92		
6×3	6.25×3.5						
150×50	165.1×60.3	239	100	121	64		
6×2	6.5×2.375						
150×65	165.1×76.1	248	107	126	80		
6×2 1/2	6.5×3						
150×80	165.1×88.9	239	129	121	92		
6×3	6.5×3.5						
150×50	168.3×60.3	239	100	121	64		
6×2	6.625×2.375						
150×65	168.3×76.1	248	117	127	70		
6×2 1/2	6.625×3						
150×80	168.3×88.9	248	136	127	89		
6×3	6.625×3.5						
200×50	219.1×60.3	311	100	147.5	64		
8×2	8.625×2.375						
200×65	219.1×76.1	311	117	147.5	70		
8×2 1/2	8.625×3						
200×80	219.1×88.9	311	129	147.5	89		
8×3	8.625×3.5						
200×100	219.1×108	311	143	148.5	104		
8×4	8.625×4.25						
200×100	219.1×114.3	311	153	149	114		
8×4	8.625×4.5						

230